



2007
Mighty Mini
Fan & Blower

"Smaller" brings new possibilities



Product designs are now evolving from “small and light” into “palm-sized micro” products that will improve the way that people live. The birth of the Sunon Mighty Mini Fan and Blower brings us great delight for its unlimited possibilities and allows us to challenge the limitations of micro-sized spaces.

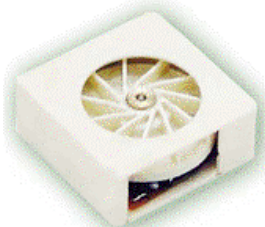
The Mighty Mini Fan and Blower meets the cooling needs of a variety of micro products, including PDA, smart phone, GPS module, PMP, UMPC, and the portable fuel cell. With this new technology, Sunon can help our clients create the best palm-sized products possible.

SUNON , Mighty Mini fan & Blower

The World's Smallest Sub-Centimeter Fan & Blower



8x8x5mm Fan

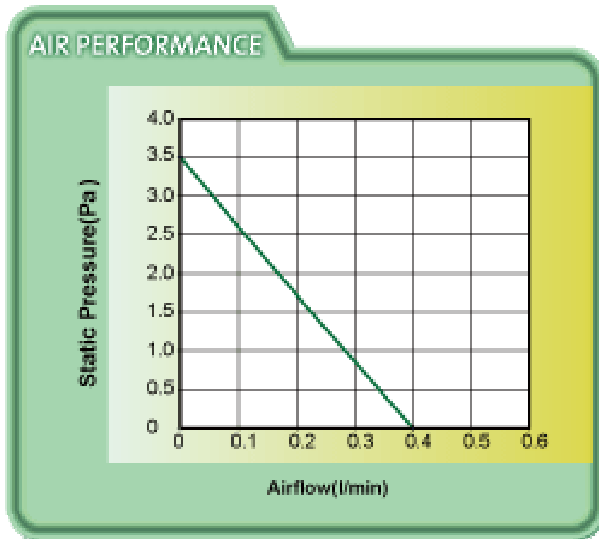


9x9x3mm Blower



Supported by Sunon's superior research and development technologies, our Mighty Mini Fans possess the advantages of "super low noise" and "lowest power consumption". Their patented, sub-centimeter breakthrough technology is a unique innovation that puts us ahead of other vendors from around the world. **Testing by mobile manufacturer, this product could reduce 10°C of PCB's temperature.**

8x8x5mm



SPECIFICATION

Model : UF385-10

Operating Voltage : 2.2V~3.5V

Voltage : 3V

Power Current : 65mA

Power Consumption : 0.2Watts

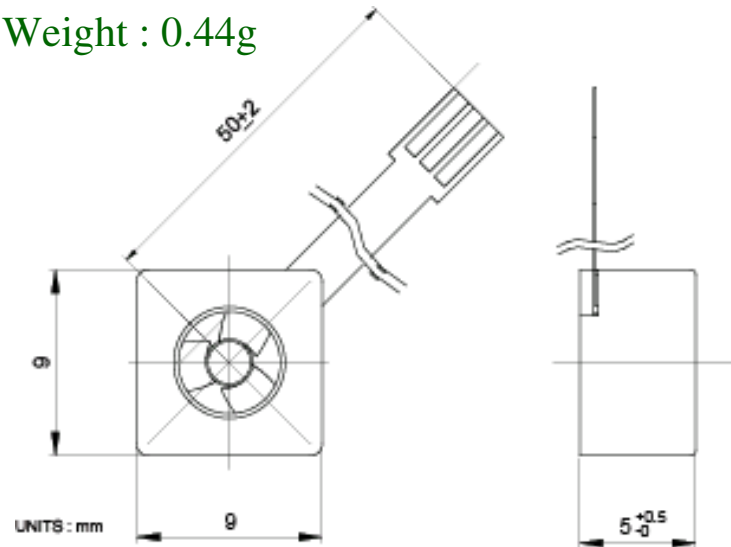
Speed : 15000RPM

Air Flow : 0.015 CFM (0.4 l/min)

Static Pressure : 0.015inch-H₂O (3.5 Pa)

Noise : 27.4 dBA / 20cm

Weight : 0.44g



* Preliminary specification for reference.

For Sunon sales force use only

SUNON

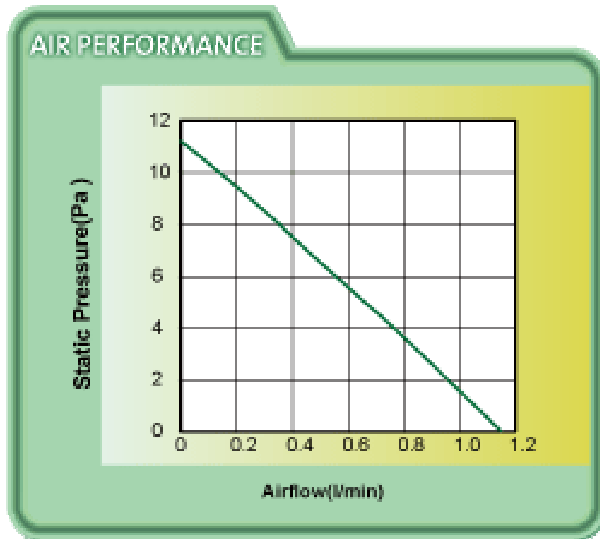
8x8x5mm



Model : UF385-10

- Special Sample Request : Available now
- Special Sample Request lead time: 2 weeks
- Mass Production: in Mar (projected)
- Mass Production lead time: 30~40 days
- Life expectancy: 30,000 hr at 25 deg.C
- Price: please contact Sales Representative or Inside Sales

9x9x3mm



SPECIFICATION

Model : UB393-10

Operating Voltage : 1.8V~3.5V

Voltage : 3V

Power Current : 30mA

Power Consumption : 0.09Watts

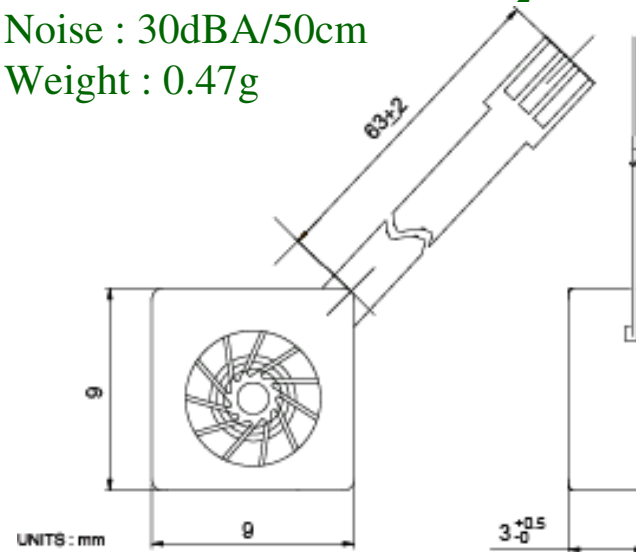
Speed : 15000PRM

Air Flow : 0.04CFM (1.15 l/min)

Static Pressure : 0.045inch-H₂O (11.2 Pa)

Noise : 30dBA/50cm

Weight : 0.47g



* Preliminary specification for reference.

For Sunon sales force use only

SUNON.

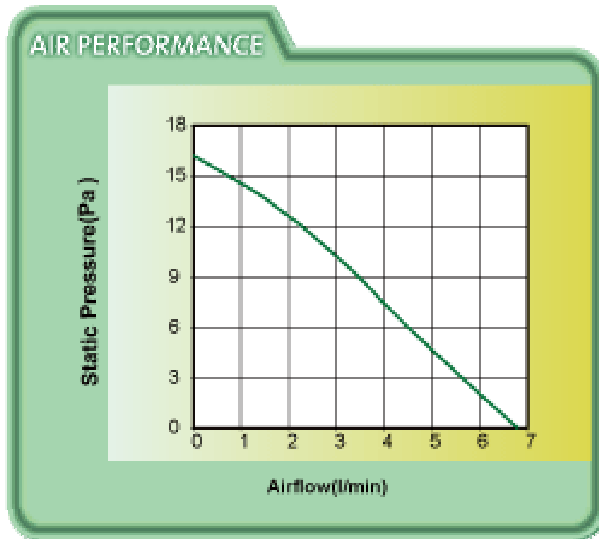
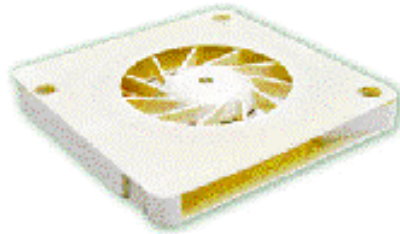
9x9x3mm



Model : UB393-10

- Special Sample Request : Available now
- Special Sample Request lead time: 2 weeks
- Mass Production: in Mar (projected)
- Mass Production lead time: 30~40 days
- Life expectancy: 30,000 hr at 25 deg.C
- Price: please contact Sales Representative or Inside Sales

30x30x3mm



SPECIFICATION

Model : UB5U3-10

Operating Voltage : 1.8V~5.8V

Voltage : 5V

Power Current : 57mA

Power Consumption : 0.29Watts

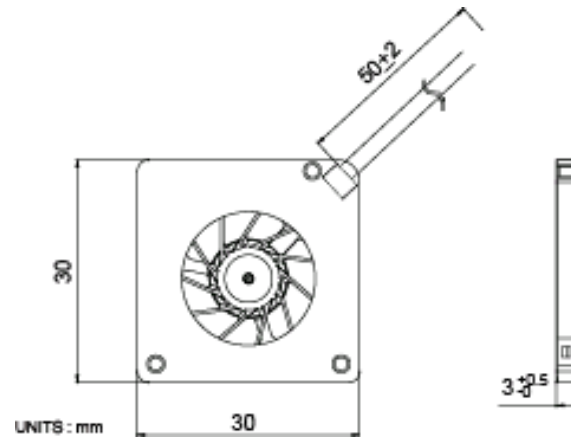
Speed : 3800RPM

Air Flow : 0.24CFM (6.8 l/min)

Static Pressure : 0.065inch-H₂O (16.2 Pa)

Noise : 28.4 dBA/20cm

Weight : 1.92g

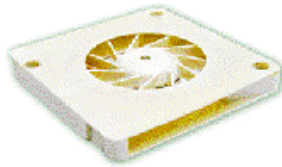


* Preliminary specification for reference.

For Sunon sales force use only

SUNON.

30x30x3mm



Model : UB5U3-10

- Special Sample Request : Available now
- Special Sample Request lead time: 2 weeks
- Mass Production : Mar, 2007
- Mass Production lead time: 30~40 days
- Life expectancy: 30,000 hr at 25 deg.C
- Price: please contact Sales Representative or Inside Sales

Mighty Mini Fan & Blower Roadmap

Series	Size	Model	Bearing	Voltage		Available	
	(mm)		VAPO	3V	5V	SSR	MP
Fan	8x8x5	UF385-10	*	*		Yes	Mar.
Fan	10x10x5		*	*		Mar.	Apr.
Fan	12x12x5		*	*		Mar.	Apr.
Fan	15x15x5		*	*		Mar.	Apr.
Fan	17x17x5		*	*		Mar.	Apr.
Blower	9x9x3	UB393-10	*	*		Yes	Mar.
Blower	12x12x3		*	*		Mar.	Apr.
Blower	15x15x3		*	*		Mar.	Apr.
Blower	17x17x3		*	*		Mar.	Apr.
Blower	30x30x3	UB5U3-10	*		*	Yes	Mar.

SSR: Special Sample Request

MP : Mass Production

